



LANBOO
中国·蓝波

让用电更安全
Make Electricity Safer



120~200A系列规格书
大功率汽车继电器
High Power Automotive Relay

V2023.3



LANBOO
中国·蓝波

让用电更安全
Make Electricity Safer

120~200A系列
大功率汽车继电器
High Power Automotive Relay



120~200A
大功率
High Power



$\leq 50m\Omega$
大银触点
Silver contact



10000000
次机械寿命
Mechanical Life



V0
耐温阻燃
Flaming Retarding



$\leq 25ms$
高灵敏度
Hypersensitive



$\geq 100M\Omega$
绝缘耐压
Insulation



-40~80°C
耐温性能强
Operating Temp.



CE RoHS
多项认证
Certification



24H
快速发货
Quickly Delivery



源头厂家
厂家直销
Manufacturer



品质保障
加长质保
Quality Assurance



实时在线
优质服务
First-Rate Service

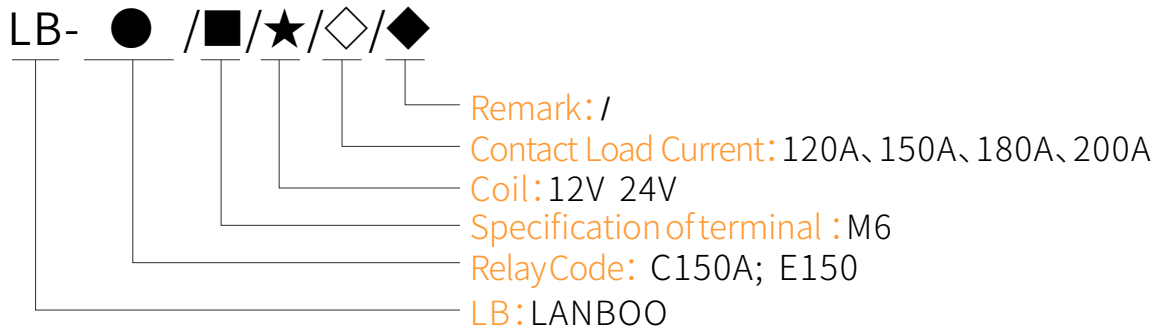
型号说明/选型 写法举例:LB-C150A/M6/12V/180A



性能参数

接线形式	螺丝式
外壳	PA6(RoHS),VO级阻燃
底座	PA6(RoHS),VO级阻燃
触点	铜覆银氧化锡AgSnO ₂ /Cu (RoHS)
接线柱	LB-D120:黄铜; LB-C系列: 紫铜镀银; LB-E系列: Q195镀蓝白锌; LB-D200:紫铜
引脚反向推力	≥80N无位移, 1min
工作环境温度	-40°C~+80°C, 非真空状态、不结冰情况下
工作环境湿度	35~85%RH
贮存环境温度	包装完好情况下, -40°C~+55°C
贮存环境湿度	包装完好情况下, 45~90%RH
接触电阻	≤50mΩ
触点类型	1NO
最大电压	23°C时额定电压的150%; 85°C时额定电压的130%;
绝缘电阻	≥100MΩ(500VDC)(端子与外壳之间)
吸合时间	≤25ms
释放时间	≤25ms
吸合电压(23°C)	DC:≤75%(额定电压);
释放电压(23°C)	DC:≥10%(额定电压);
触点最小适用负载	6VDC, 1A (参考值, 取决于环境与负载情况)
耐振性	10Hz~500Hz,49m/s ² (5G)
包装跌落	600mm高度连续跌落4次, 产品无损坏
盐雾试验	24h, 1个周期, (参考GB/T 2423.18-2012)
低温试验	-40°C, 96h, 接触电阻≤200mΩ
高温试验	80°C, 96h, 接触电阻≤200mΩ
高低温冲击试验	-40~+85°C, 85%RH, 40min/循环, 50个循环, 接触电阻≤200mΩ
电气寿命	≥5万次
机械寿命	≥1000万次 (切换频率: 300cpm)
产品认证	CE RoHS
质保	66个月
图纸未注一般公差	按GB/T 1804-m 标准执行。

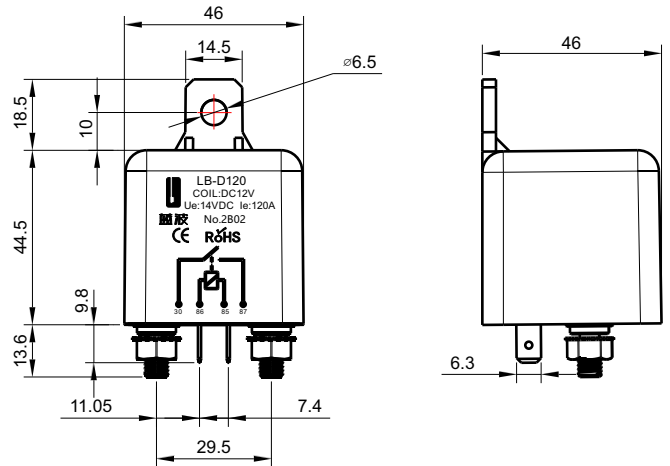
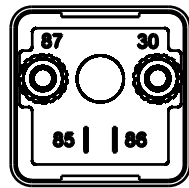
Model Code Example: LB-C150A/M6/12V/180A



Performance Parameter

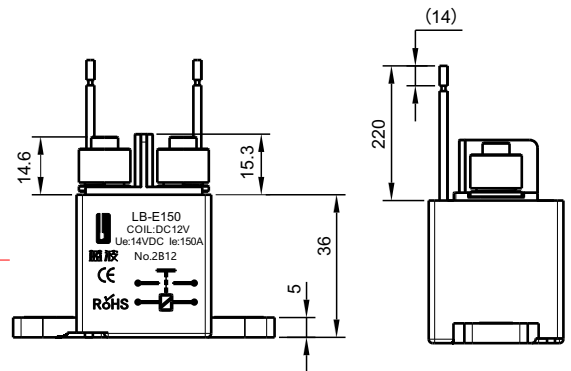
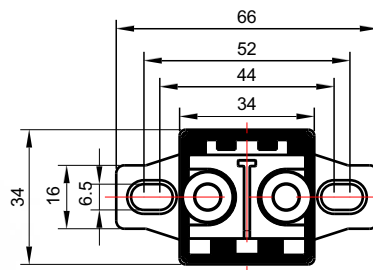
Wiring Form	Screw
Shell	PA6(RoHS),VO In flaming retarding
Base	PBT(RoHS),VO In flaming retarding
Contact	Silver tin oxide,AgSnO2/Cu (RoHS)
Wiring terminal	LB-D120: brass; LB-C : red copper plated with silver; LB-E : Q195 plated with zinc; LB-D200: Red copper
Pin Reverse Thrust	≥80N No shifting, 1min
Working Temp.	-40°C~+80°C, Under non-vacuum and non-freezing conditions
Working Humidity	35~85%RH
Storage Temp.	In good condition of packing, -40°C~+55°C
Storage Humidity	In good condition of packing, 45~90%RH
Contact Resistance	≤50mΩ
Type of Contact	1NO
Pull-in Voltage(23°C)	DC: ≤75%(Rated Voltage);
Release Voltage(23°C)	DC: ≥10%(Rated Voltage);
MAX Voltage	150% of rated voltage at 23 °C; 130% of rated voltage at 85 °C;
Pull-in Time	≤25ms
Release Time	≤25ms
Insulation Resistance	≥100MΩ(500VDC)(Between the terminal and the housing)
MIN Applicable Load contact	6VDC, 1A (Reference values, depending on environment and load conditions)
Resistance to Vibration	10Hz~500Hz,49m/s ² (5G)
Packaging Drop	600mm height fell 4 times continuously, no damage to the product
Salt Spray Test	24h, 1 Cycle, (GB/T 2423.18-2012)
Low Temp Test	-40°C, 96h, Contact Resistance≤200mΩ
High Temp Test	80°C, 96h, Contact Resistance≤200mΩ
High-Low Temp Impact Tester	-40~+85°C, 85%RH, 40min/Circulation, 50Circulation, Contact Resistance≤200mΩ
Electrical Life	≥50,000 Times
Mechanical Life	≥1 Million Times (Switching Frequency: 300cpm)
Product Certification	CE RoHS
Quality Quarantee	66 Months
Undeclared Tolerance	Reference GB/T 1804-m

参数及外形尺寸 Parameters & Dimensions



LB-D120 LB-D200

触点负载/Contact Load	LB-D120:120A/14VDC LB-D200:200A/14VDC; 150A/28VDC;
线圈耗电量/Coil Power	DC12V:≈2.4W; DC24V: ≈ 2.4W
线圈电压/Coil Voltage	DC12V、DC24V
线圈电阻Coil Resistance	DC12V: 60±10%Ω; DC24V: 240±10%Ω
最大连续电流/Max Continuous Current	LB-D120:120A(23°C); LB-D200:200A(23°C)
最大切换电压/Max Switching Voltage	40VDC(阻性Resistive)
抗电强度(介质耐压)/Dielectric Strength	触点与线圈间Between contact&coil: 500VAC 1min; 断开触点间Disconnect contact and contact:500VAC 1min



LB-E150

触点负载/Contact Load	120A/14VDC; 100A/28VDC; 50A/70VDC; 30A/110VDC;
线圈耗电量/Coil Power	DC12V、24V、36V、48V、60V、72V:≈2.4W; DC24V: ≈ 2.4W
线圈电压/Coil Voltage	DC12V、24V、36V、48V、60V、72V
线圈电阻Coil Resistance	DC12V: 60±10%Ω; DC24V: 240±10%Ω; DC36V: 540±10%Ω; DC48V: 960±10%Ω DC60V: 1500±10%Ω; DC72V: 2160±10%Ω
最大连续电流/Max Continuous Current	150A(23°C)
最大切换电压/Max Switching Voltage	28VDC(阻性Resistive)
抗电强度(介质耐压)/Dielectric Strength	触点与线圈间Between contact&coil:1000VAC 1min; 断开触点间Disconnect contact and contact:1000VAC 1min

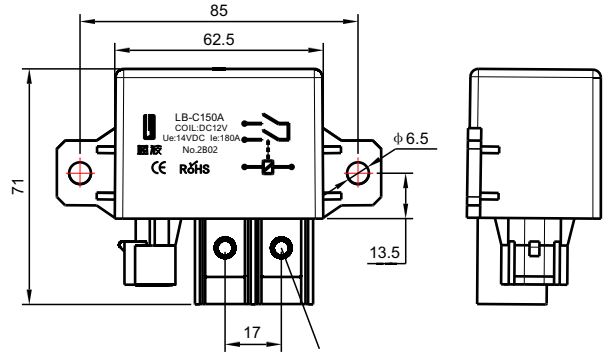
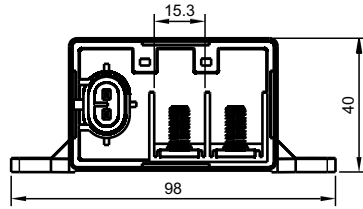


LANBOO
中国·蓝波

让用电更安全
Make Electricity Safer

120~200A系列
大功率汽车继电器
High Power Automotive Relay

参数及外形尺寸 Parameters & Dimensions



LB-C150A

触点负载/Contact Load	180A/14VDC 150A/28VDC
线圈耗电量/Coil Power	DC12V: ≈ 3.9W; DC24V: ≈ 4.1W
线圈电压/Coil Voltage	DC12V、DC24V
线圈电阻Coil Resistance	DC12V: 37 ± 10%Ω; DC24V: 141 ± 10%Ω
最大连续电流/Max Continuous Current	180A(23°C)
最大切换电压/Max Switching Voltage	28VDC(阻性Resistive)
抗电强度(介质耐压)/Dielectric Strength	触点与线圈间Between contact&coil:1000VAC 1min; 断开触点间Disconnect contact and contact:1000VAC 1min

